



SABRE™ with Stealth Technology®

1.1 GPF Single Flush Toilet Round ADA Bowl with 12" Rough-in



SABRE™ with Stealth Technology®

1.1 GPF SINGLE FLUSH TOILET

Round ADA Bowl with 12" Rough-in

FEATURES & SPECIFICATIONS

- Patented Stealth Technology®
- MaP Score 1000g
- Custom 400A Fluidmaster® Fill Valve
- Extra large footprint
- Large water spot and 360° rim wash ensures a clean bowl
- Left and right handle tank available
- ADA Height

CERTIFICATIONS

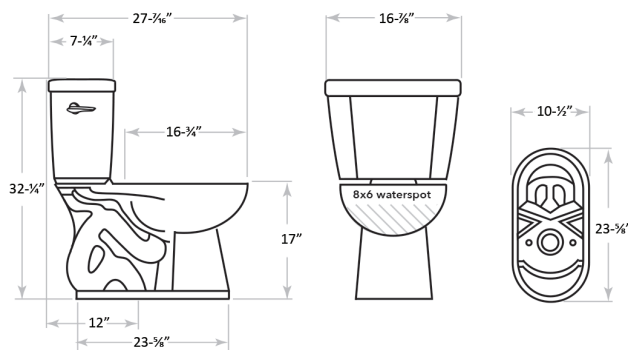


Materials: Vitreous China **Finish Color:** White

Codes/Standards:

- ASME A112.19.2/CSA B45.1
- DOE - Energy Policy Act 1992
- California Energy Commission (CEC)
- CalGreen Compliant
- ICC/ANSI A117.1

MEASUREMENTS



BULK PACKAGING

C22.200.01 Left Combo
C22.201.01 Right Combo

22.0200.01 Round Bowl

UPC Code 732291222006

Packaging Type Kraft Corrugated

Packaging Dimensions 15.8" W
17.6" H
26.6" D

Packaging Weight 49.34

Skid Quantity 12 or 18

22.0300.01 Tank (Left)

22.0300.01 Tank (Right)

UPC Code Left 732291223003

UPC Code Right 732291223010

Packaging Type Kraft Corrugated

Packaging Dimensions 8.46" W
16.73" H
16.8" D

Packaging Weight 36.44

Skid Quantity 30

**LIMITED LIFETIME WARRANTY on vitreous china products. Toilet tank trim: fill valve and flush valve assembly and plumbing fittings are warranted for a period of fifteen (15) years to the purchaser from the date of purchase. Call Niagara for complete warranty details.