



LIBERTY™

1.28 GPF Single Flush Toilet Elongated Bowl with 10" Rough-In



LIBERTY™

1.28 GPF SINGLE FLUSH TOILET

Elongated Bowl with 10" Rough-in

FEATURES & SPECIFICATIONS

- 3" Flapper
- 400A Fluidmaster® Fill Valve
- Brass bolts and cap set
- Fully glazed trapway for clog free waste removal
- Left and right powder coated zinc handles available
- Extra large footprint for easy replacement
- Two-piece toilet
- 15-year Warranty**
- WaterSense certified

CERTIFICATIONS



Materials: Vitreous China **Finish Color:** White

Codes/Standards:

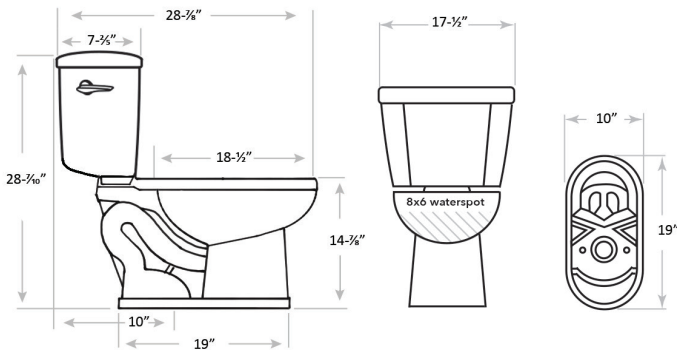
ASME A112.19.2/CSA B45.1

DOE - Energy Policy Act 1992

California Energy Commission (CEC)

CalGreen Compliant

MEASUREMENTS



BULK PACKAGING

C11.102.01 Left Combo
C11.103.01 Right Combo

11.0201.01 Elongated Bowl

UPC Code 732291112017

Packaging Type Kraft Corrugated

Packaging Dimensions 15.9" W
15.8" H
27.9" D

Packaging Weight 48.08

Skid Quantity 12 or 18

11.0300.01LWH Tank (Left) 11.0300.01RWH Tank (Right)

UPC Code Left 732291113007

UPC Code Right 732291113014

Packaging Type Kraft Corrugated

Packaging Dimensions 8.5" W
15.8" H
19.3" D

Packaging Weight 25.75

Skid Quantity 30

**LIMITED LIFETIME WARRANTY on vitreous china products. Toilet tank trim: fill valve and flush valve assembly and plumbing fittings are warranted for a period of fifteen (15) years to the purchaser from the date of purchase. Call Niagara for complete warranty details.