



**LIBERTY™**

**1.28 GPF Single Flush Toilet** Elongated ADA Bowl with 12" Rough-In



# LIBERTY™

## 1.28 GPF SINGLE FLUSH TOILET

Elongated ADA Bowl with 12" Rough-in

### FEATURES & SPECIFICATIONS

- 3" Flapper
- 400A Fluidmaster® Fill Valve
- Brass bolts and cap set
- Fully glazed trapway for clog free waste removal
- Left and right powder coated zinc handles available
- Extra large footprint for easy replacement
- Two-piece toilet
- 15-year Warranty\*\*
- WaterSense certified
- ADA Height

### CERTIFICATIONS

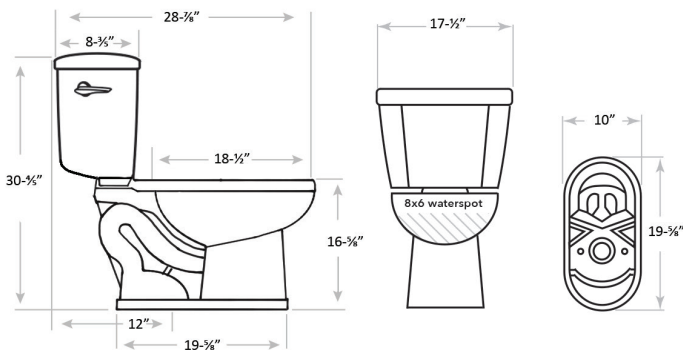


**Materials:** Vitreous China **Finish Color:** White

#### Codes/Standards:

- ASME A112.19.2/CSA B45.1
- DOE - Energy Policy Act 1992
- California Energy Commission (CEC)
- CalGreen Compliant
- ICC/ANSI A117.1

### MEASUREMENTS



### BULK PACKAGING

**C11.300.01** Left Combo  
**C11.301.01** Right Combo

#### 11.0203.01 Elongated Bowl

UPC Code 732291112031

Packaging Type Kraft Corrugated

Packaging Dimensions 15.5" W  
17.8" H  
27.9" D

Packaging Weight 49.85

Skid Quantity 12 or 18

#### 11.0302.01LWH Tank (Left) 11.0302.01RWH Tank (Right)

UPC Code Left 732291113205

UPC Code Right 732291113212

Packaging Type Kraft Corrugated

Packaging Dimensions 9.6" W  
15.8" H  
19.3" D

Packaging Weight 27.51

Skid Quantity 30

\*\*LIMITED LIFETIME WARRANTY on vitreous china products. Toilet tank trim: fill valve and flush valve assembly and plumbing fittings are warranted for a period of fifteen (15) years to the purchaser from the date of purchase. Call Niagara for complete warranty details.