



LIBERTY™

1.28 GPF Single Flush Toilet Elongated ADA Bowl with 10" Rough-In



LIBERTY™

1.28 GPF SINGLE FLUSH TOILET

Elongated ADA Bowl with 10" Rough-in

FEATURES & SPECIFICATIONS

- 3" Flapper
- 400A Fluidmaster® Fill Valve
- Brass bolts and cap set
- Fully glazed trapway for clog free waste removal
- Left and right powder coated zinc handles available
- Extra large footprint for easy replacement
- Two-piece toilet
- 15-year Warranty**
- WaterSense certified
- ADA Height

CERTIFICATIONS

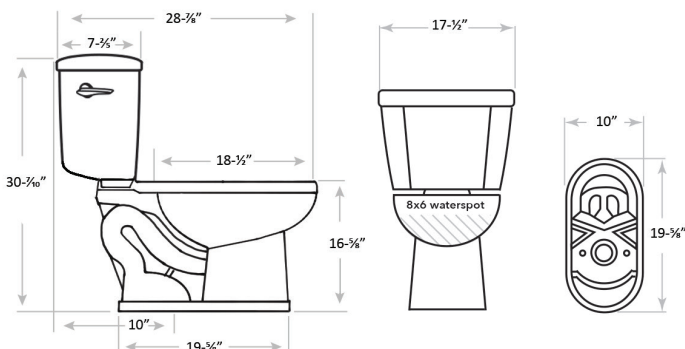


Materials: Vitreous China **Finish Color:** White

Codes/Standards:

- ASME A112.19.2/CSA B45.1
- DOE - Energy Policy Act 1992
- California Energy Commission (CEC)
- CalGreen Compliant
- ICC/ANSI A117.1

MEASUREMENTS



BULK PACKAGING

C11.302.01 Left Combo
C11.303.01 Right Combo

11.0203.01 Elongated Bowl

UPC Code 732291112031

Packaging Type Kraft Corrugated

Packaging Dimensions 15.5" W
17.8" H
27.9" D

Packaging Weight 49.85

Skid Quantity 12 or 18

11.0300.01LWH Tank (Left) 11.0300.01RWH Tank (Right)

UPC Code Left 732291113007

UPC Code Right 732291113014

Packaging Type Kraft Corrugated

Packaging Dimensions 8.5" W
15.8" H
19.3" D

Packaging Weight 25.75

Skid Quantity 30

**LIMITED LIFETIME WARRANTY on vitreous china products. Toilet tank trim: fill valve and flush valve assembly and plumbing fittings are warranted for a period of fifteen (15) years to the purchaser from the date of purchase. Call Niagara for complete warranty details.