

 NIAGARA®



**BARRON™**

**1.0 GPF Pressure Assist Toilet** Round Bowl with 12" Rough-in



# BARRON™

## 1.0 GPF PRESSURE ASSIST TOILET

Round Bowl with 12" Rough-in

### FEATURES & SPECIFICATIONS

- Powerful pressure assist flush technology
- Upgraded brass bolt set
- Chrome left and right handle options
- MaP Score 1000g
- Extra large water spot for a clean bowl
- Fully glazed trapway for easy waste removal

### CERTIFICATIONS



**Materials:** Vitreous China **Finish Color:** White

#### Codes/Standards:

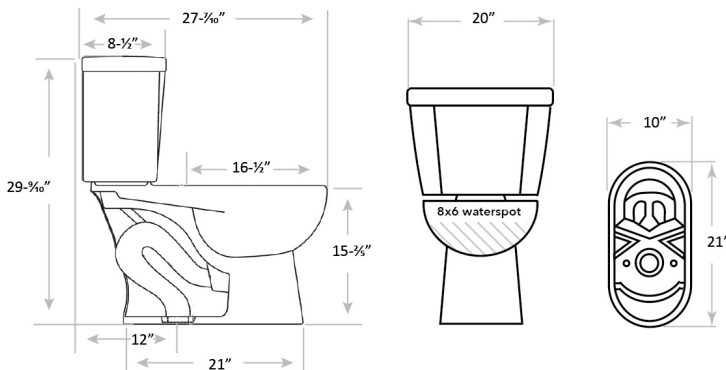
ASME A112.19.2/CSA B45.1

DOE - Energy Policy Act 1992

California Energy Commission (CEC)

CALGreen Compliant

### MEASUREMENTS



### BULK PACKAGING

**C44.000.01** Left Combo  
**C44.001.01** Right Combo

**44.0200.01** Round Bowl

UPC Code 732291442008

Packaging Type Kraft Corrugated

Packaging Dimensions 15" W  
17.2" H  
26.9" D

Packaging Weight 47.42

Skid Quantity 12 or 18

**44.0302.01LWH** Tank (Left)  
**44.0302.01RWH** Tank (Right)

UPC Code Left 732291443203

UPC Code Right 732291433210

Packaging Type Kraft Corrugated

Packaging Dimensions 10.8" W  
16.3" H  
21.7" D

Packaging Weight 44.71

Skid Quantity 30

\*\*LIMITED LIFETIME WARRANTY on vitreous china products. Toilet tank trim: fill valve and flush valve assembly and plumbing fittings are warranted for a period of fifteen (15) years to the purchaser from the date of purchase. Call Niagara for complete warranty details.