



SHADOW™ with Stealth Technology®
1.28 GPF Single Flush Toilet Round ADA Bowl with 12" Rough-in



SHADOW™

1.28 GPF SINGLE FLUSH TOILET

Round ADA Bowl with 12" Rough-in

FEATURES & SPECIFICATIONS

- Exclusive PRO Product
- Preassembled tank for quick installation
- 15 Year Warranty**
- MaP Score 1000g
- Fluidmaster® PRO Fill Valve
- Equipped with Stealth Technology® PRO Vessel
- Left or right color match zinc handle
- Thin modern tank design
- ADA Height

CERTIFICATIONS



Materials: Vitreous China **Finish Color:** White

Codes/Standards:

ASME A112.19.2/CSA B45.1

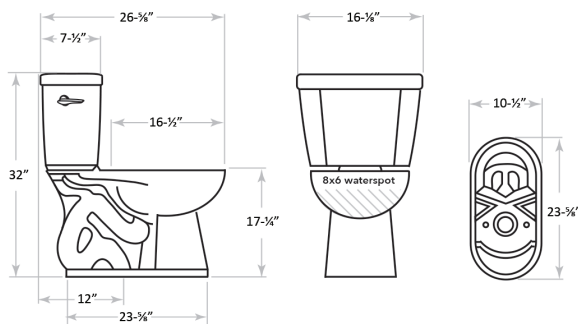
DOE - Energy Policy Act 1992

California Energy Commission (CEC)

CALGreen Compliant

ICC/ANSI A117.1

MEASUREMENTS



BULK PACKAGING

C33.202.01 Left Combo
C33.203.01 Right Combo

33.0202.01 Round Bowl

UPC Code 732291332200

Packaging Type Kraft Corrugated

Packaging Dimensions 15.8" W
17.6" H
26.6" D

Packaging Weight 49.34

Skid Quantity 12 or 18

33.0302.01LWH Tank (Left)
33.0302.01RWH Tank (Right)

UPC Code Left 732291333207

UPC Code Right 732291333214

Packaging Type Kraft Corrugated

Packaging Dimensions 8.46" W
16.73" H
16.8" D

Packaging Weight 36.44

Skid Quantity 30

**LIMITED LIFETIME WARRANTY on vitreous china products. Toilet tank trim: fill valve and flush valve assembly and plumbing fittings are warranted for a period of fifteen (15) years to the purchaser from the date of purchase. Call Niagara for complete warranty details.