



SHADOW™ with Stealth Technology®
1.28 GPF Single Flush Toilet Round Bowl with 12" Rough-in



SHADOW™

1.28 GPF SINGLE FLUSH TOILET

Round Bowl with 12" Rough-in

FEATURES & SPECIFICATIONS

- Exclusive PRO Product
- Preassembled tank for quick installation
- 15 Year Warranty**
- MaP Score 1000g
- Fluidmaster® PRO Fill Valve
- Equipped with Stealth Technology® PRO Vessel
- Left or right color match zinc handle
- Thin modern tank design

CERTIFICATIONS



Materials: Vitreous China **Finish Color:** White

Codes/Standards:

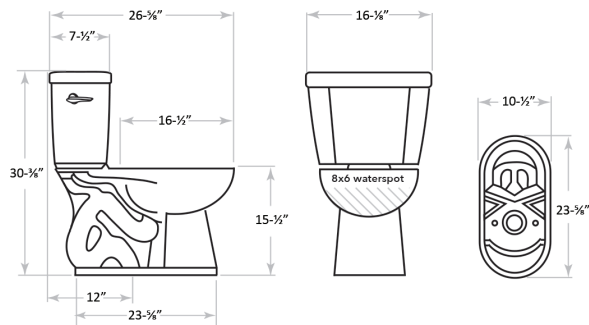
ASME A112.19.2/CSA B45.1

DOE - Energy Policy Act 1992

California Energy Commission (CEC)

CALGreen Compliant

MEASUREMENTS



BULK PACKAGING

C33.000.01 Left Combo
C33.001.01 Right Combo

33.0204.01 Round Bowl

UPC Code 732291332408

Packaging Type Kraft Corrugated

Packaging Dimensions 15.6" W
 15.9" H
 26.6" D

Packaging Weight 47.58

Skid Quantity 12 or 18

33.0302.01LWH Tank (Left)
33.0302.01RWH Tank (Right)

UPC Code Left 732291333207

UPC Code Right 732291333214

Packaging Type Kraft Corrugated

Packaging Dimensions 8.46" W
 16.73" H
 16.8" D

Packaging Weight 36.44

Skid Quantity 30

**LIMITED LIFETIME WARRANTY on vitreous china products. Toilet tank trim: fill valve and flush valve assembly and plumbing fittings are warranted for a period of fifteen (15) years to the purchaser from the date of purchase. Call Niagara for complete warranty details.