



SABRE™ with Stealth Technology®

1.1 GPF Single Flush Toilet Elongated Bowl with 12" Rough-in



SABRE™ with Stealth Technology®

1.1 GPF SINGLE FLUSH TOILET

Elongated Bowl with 12" Rough-in

FEATURES & SPECIFICATIONS

- Patented Stealth Technology®
- MaP Score 1000g
- Upgraded Brass Bolt Set
- Custom 400A Fluidmaster® Fill Valve
- Left and right handle available
- Large water spot and 360° rim wash ensures clean bowl
- Extra large footprint

CERTIFICATIONS



Materials: Vitreous China **Finish Color:** White

Codes/Standards:

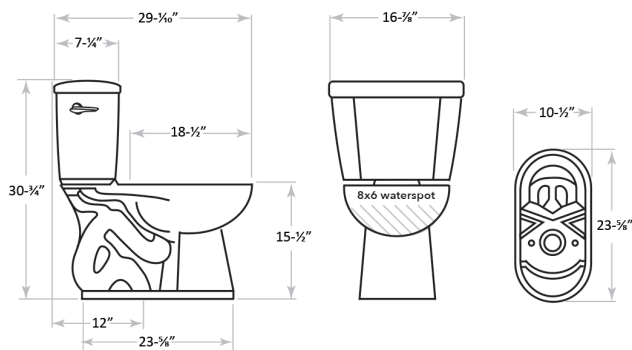
ASME A112.19.2/CSA B45.1

DOE - Energy Policy Act 1992

California Energy Commission (CEC)

CalGreen Compliant

MEASUREMENTS



BULK PACKAGING

C22.100.01 Left Combo
C22.101.01 Right Combo

22.0203.01 Elongated Bowl

UPC Code 732291222037

Packaging Type Kraft Corrugated

Packaging Dimensions 15.6" W
16.3" H
28.4" D

Packaging Weight 52.91

Skid Quantity 12 or 18

22.0300.01 Tank (Left)

22.0300.01 Tank (Right)

UPC Code Left 732291223003

UPC Code Right 732291223010

Packaging Type Kraft Corrugated

Packaging Dimensions 8.46" W
16.73" H
16.8" D

Packaging Weight 36.44

Skid Quantity 30

**LIMITED LIFETIME WARRANTY on vitreous china products. Toilet tank trim: fill valve and flush valve assembly and plumbing fittings are warranted for a period of fifteen (15) years to the purchaser from the date of purchase. Call Niagara for complete warranty details.