



**LIBERTY™**

**1.28 GPF Single Flush Toilet** Round Bowl with 10" Rough-In



# LIBERTY™

## 1.28 GPF SINGLE FLUSH TOILET

Round Bowl with 10" Rough-in

### FEATURES & SPECIFICATIONS

- 3" Flapper
- 400A Fluidmaster® Fill Valve
- Brass bolts and cap set
- Fully glazed trapway for clog free waste removal
- Left and right powder coated zinc handles available
- Extra large footprint for easy replacement
- Two-piece toilet
- 15-year Warranty\*\*
- WaterSense certified

### CERTIFICATIONS



**Materials:** Vitreous China **Finish Color:** White

#### Codes/Standards:

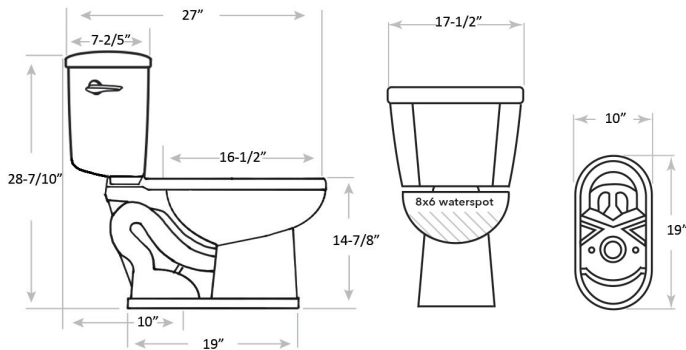
ASME A112.19.2/CSA B45.1

DOE - Energy Policy Act 1992

California Energy Commission (CEC)

CalGreen Compliant

### MEASUREMENTS



### BULK PACKAGING

**C11.002.01** Left Combo  
**C11.003.01** Right Combo

#### 11.0200.01 Round Bowl

UPC Code 732291112000

Packaging Type Kraft Corrugated

Packaging Dimensions 15.7" W  
15.8" H  
25.9" D

Packaging Weight 45.88

Skid Quantity 12 or 18

#### 11.0300.01LWH Tank (Left) 11.0300.01RWH Tank (Right)

UPC Code Left 732291113007

UPC Code Right 732291113014

Packaging Type Kraft Corrugated

Packaging Dimensions 8.5" W  
15.8" H  
19.3" D

Packaging Weight 25.75

Skid Quantity 30

\*\*LIMITED LIFETIME WARRANTY on vitreous china products. Toilet tank trim: fill valve and flush valve assembly and plumbing fittings are warranted for a period of fifteen (15) years to the purchaser from the date of purchase. Call Niagara for complete warranty details.