



LIBERTY™

DROP-IN LAVATORY SINK

Round 8" Spread

FEATURES & SPECIFICATIONS

- Drop-in round vitreous china lavatory sink
- Front overflow
- Glazed surface finish
- Precast holes for 8" centerset, three-hole faucet installations
- Basin area dimensions: 14-5/8" x 12" x 6"
- Overall Dimensions: 19" x 19" x 8-1/4"
- Cut-out dimensions: 17-1/4" x 16-1/2"
- Accepts standard brass or plastic pop-up assemblies
- Includes cut-out template



COMPLIANCE

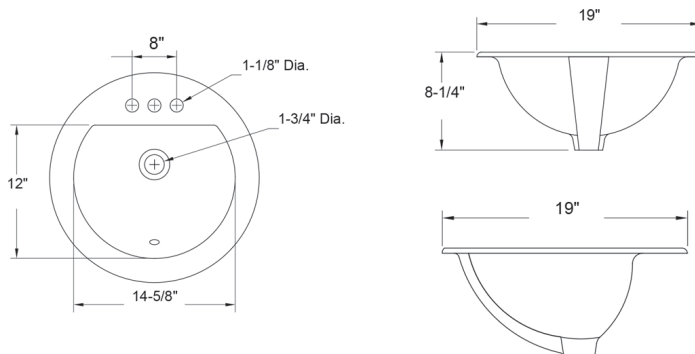
- Meets or exceeds ASME A112.19.2
- Complies with ADA (Americans with Disabilities Act)

LISTINGS

- IAPMO (International Association of Plumbing & Mechanical Officials)
- cUPC (Uniform Plumbing Code & Canadian Uniform Plumbing Code)



MEASUREMENTS



BULK PACKAGING

11.0510-8.01

UPC Code 732291110532

Packaging Type Kraft Corrugated

Packaging Dimensions 19.2" W
8.7" H
19.3" D

Packaging Weight 20.31

Skid Quantity 24

*Pending final installation factors. ** LIMITED LIFETIME WARRANTY on vitreous china products. Call Niagara for complete warranty details.

CORPORATE HQ 1200 Lakeside Parkway, Suite 450, Flower Mound, Texas 75028 USA

To place an order, please contact:
(p) 888.733.0192 (f) 682.200.6962 (e) info@niagaracorp.com
niagaracorp.com