



BARRON™

1.28 GPF Pressure Assist Toilet Elongated ADA Rear Outlet Bowl



BARRON™

1.28 GPF BACK OUTLET TOILET

Elongated ADA Bowl

FEATURES & SPECIFICATIONS

- Powerful pressure assist flush technology
- Upgraded brass bolt set
- Chrome left and right handle options
- MaP Score 1000g
- Extra large water spot for a clean bowl
- Fully glazed trapway for easy waste removal
- Back Outlet

CERTIFICATIONS



Materials: Vitreous China **Finish Color:** White

Codes/Standards:

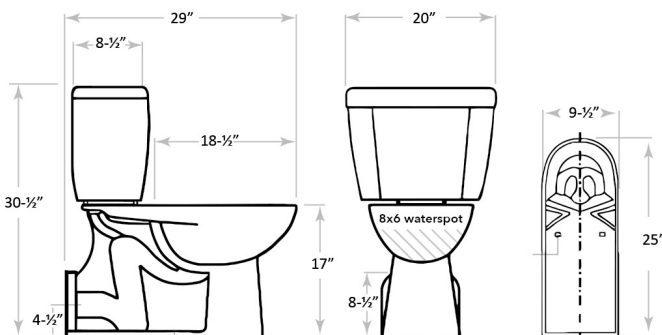
ASME A112.19.2/CSA B45.1

DOE - Energy Policy Act 1992

California Energy Commission (CEC)

CALGreen Compliant

MEASUREMENTS



BULK PACKAGING

C44.392.01 Left Combo

C44.393.01 Right Combo

44.0205.01 Elongated Bowl

UPC Code 732291442053

Packaging Type Kraft Corrugated

Packaging Dimensions 15" W
18.8" H
29.7" D

Packaging Weight TBD

Skid Quantity 12 or 18

44.0321.01LWH Tank (Left)

44.0321.01RWH Tank (Right)

UPC Code Left 732291443074

UPC Code Right 732291443067

Packaging Type Kraft Corrugated

Packaging Dimensions TBD
TBD
TBD

Packaging Weight TBD

Skid Quantity 30

**LIMITED LIFETIME WARRANTY on vitreous china products. Toilet tank trim: fill valve and flush valve assembly and plumbing fittings are warranted for a period of fifteen (15) years to the purchaser from the date of purchase. Call Niagara for complete warranty details.