



## **BARRON™**

**1.28 GPF Pressure Assist Toilet** Elongated ADA Bowl with 12" Rough-in



# BARRON™

## 1.28 GPF PRESSURE ASSIST TOILET

Elongated ADA Bowl with 12" Rough-in

### FEATURES & SPECIFICATIONS

- Powerful pressure assist flush technology
- Upgraded brass bolt set
- Chrome left and right handle options
- MaP Score 1000g
- Extra large water spot for a clean bowl
- Fully glazed trapway for easy waste removal
- ADA Height

### CERTIFICATIONS



**Materials:** Vitreous China **Finish Color:** White

#### Codes/Standards:

ASME A112.19.2/CSA B45.1

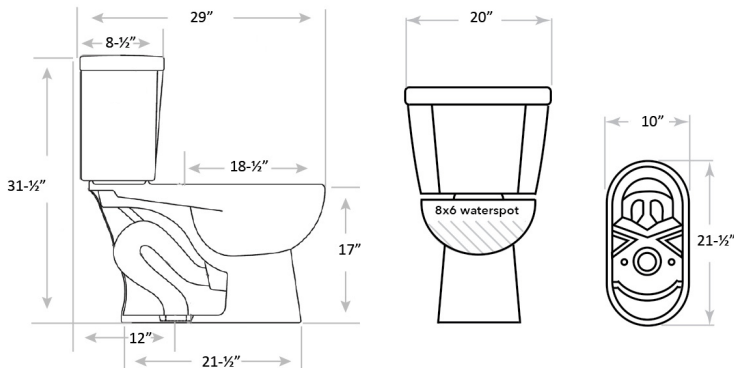
DOE - Energy Policy Act 1992

California Energy Commission (CEC)

CALGreen Compliant

ICC/ANSI A117.1

### MEASUREMENTS



### BULK PACKAGING

**C44.302.01** Left Combo  
**C44.303.01** Right Combo

**44.0203.01** Elongated Bowl

UPC Code 732291442039

Packaging Type Kraft Corrugated

Packaging Dimensions 15.7" W  
18.6" H  
29.1" D

Packaging Weight 50.95

Skid Quantity 12 or 18

**44.0322.01LWH** Tank (Left)  
**44.0322.01RWH** Tank (Right)

UPC Code Left 732291443227

UPC Code Right 732291443234

Packaging Type Kraft Corrugated

Packaging Dimensions 10.8" W  
16.3" H  
21.7" D

Packaging Weight 44.71

Skid Quantity 30

**\*\*LIMITED LIFETIME WARRANTY** on vitreous china products. Toilet tank trim: fill valve and flush valve assembly and plumbing fittings are warranted for a period of fifteen (15) years to the purchaser from the date of purchase. Call Niagara for complete warranty details.